

Filler SMALL-IN-ONE

32 filling valves



Proven technology designed for the small craft business, built on the ALL-IN-ONE platform.

Main features

- Glass bottles or cans can be handled in the same machine
- Tool free changeover in 20 minutes by 2 operators
- No compromises in quality

Simplified installation & maintenance

- Drive and gear transmission
- Compact design
- Shipped as one block on a single truck / HiCube container
- Ready for use 2 weeks after start of installation

Applications

- Beer
- RTD's
- Soft drinks (still & sparkling)
- Wine (still & sparkling)
- Water (still & sparkling)
- Juices (including fruit pulp, up to 1x6mm)

Filling temperature range

- 32° - 68°F

CO₂ content

- 0 - 8 gr/l

Formats

Cans

- Standard
- Sleek
- Slim

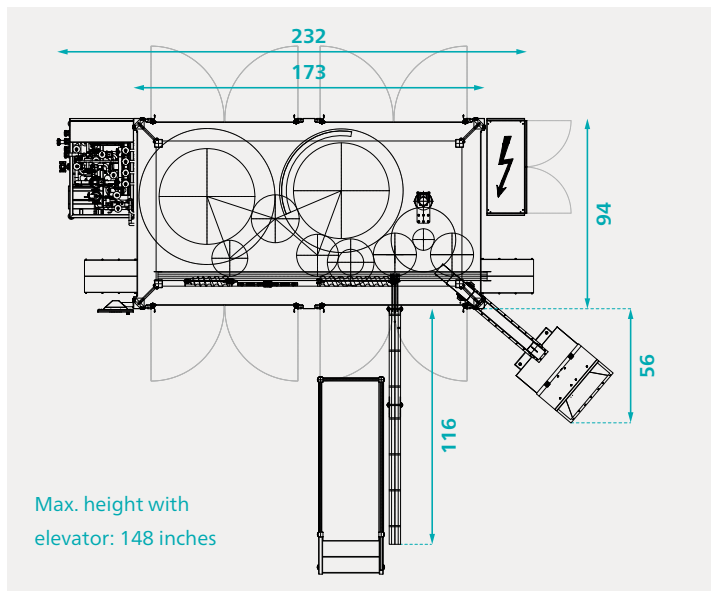
Glass bottles

- Diameter 50 - 90 mm
- Crown corks

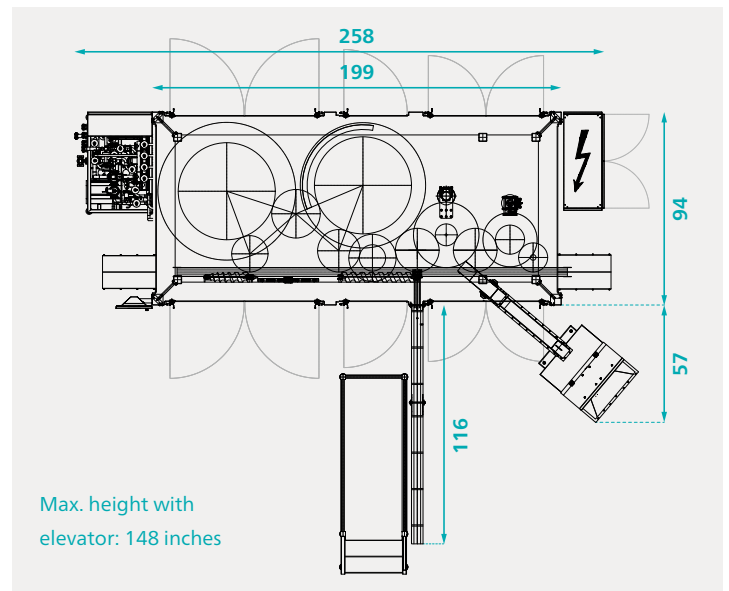
Options

- ROPP / Aluminium screw cap
- Plastic screw cap

Configuration for crown corks and lids



Configuration for crown corks and lids, ROPP caps



Capacities

Product	Filling temp. (°F)	CO ₂ content (g/L)	Filler nominal capacity (cpm)	Container volume (oz)
Beer	39	5,5	160	12
(Pils, Lager)			140	16
Beer	59	5,5	140	12
(Pils, Lager)			120	16
Soft drinks	39	5,5	155	12
/ RTD			130	16
Soft drinks	59	5,5	140	12
/ RTD			120	16
Carbonated water	59-68	6,5	160	12
			150	16
Still water	68-77	0	160	12
			160	16
Still wine	68	2	160	8.4
			110	25.3
Sparkling wine	39-42	8	150	8.4
			65	25.3
Juice	194	0	160	8.4
			80	33.8

Options and upgrades

- External flushing system with piping and nozzles for external cleaning
- Foaming system
- Platform for manual lid feeding
- Cap elevator
- Second capping turret complete with:
 - capping heads for ROPP cap
 - free places for future upgrade with plastic caps (can also be added after the machine is already installed)
- System for Hot-fill
- Simple cover with HEPA Filter

Basic scope

Item	Size 32
Orientation possible	L → R and R → L
Technical designation	VKR-E 32-32-4D/4K
Nr. of rinsing stations	32 universal grippers
Rinser Execution	2-channel rinsing (rinsing with disinfection + sterile water); pump not included
Nr. of filling valves	32
Filling system	Short vent tubes
Closing turret	Combination of: <ul style="list-style-type: none"> Crown cork - 1 cap type/size Seamer - 1 lid size/type
Nr. of capping heads	4
Nr. of seaming stations	4
Lid supply	Chute for manual loading (chute on 2,1 m height)
Software	B&R PLC & Control
Electrical specs	<ul style="list-style-type: none"> UL components UL certification
Accessories for filling beer	<ul style="list-style-type: none"> Vacuum pump Hot water injection Undercover gassing & bubble breaker
Format parts	<ul style="list-style-type: none"> 1 glass bottle with 1 type of crown cork 1 can type with 1 type of lid
Other	<ul style="list-style-type: none"> Bottle / can shower Water recirculation system from rinser to the bottle / can shower and vacuum pump