

# Filler SMALL-IN-GLASS

## 16 filling valves



Proven technology designed for the small craft business, built on the ALL-IN-ONE platform.

### Main features

- Different glass bottles with different cap applications can be handled on the same machine
- Tool free changeover in 10 minutes by 2 operators
- No compromises in quality

### Simplified installation & maintenance

- Drive and gear transmission
- Compact design
- Shipped as one block on a single truck / HiCube container
- Ready for use 2 weeks after start of installation

### Applications

- Beer
- RTD's
- Soft drinks (still & sparkling)
- Wine (still & sparkling)
- Water (still & sparkling)
- Juices (including fruit pulp, up to 1x6mm)

### Filling temperature range

- 32° - 68°F

### CO<sub>2</sub> content

- 0 - 8 gr/l

### Formats

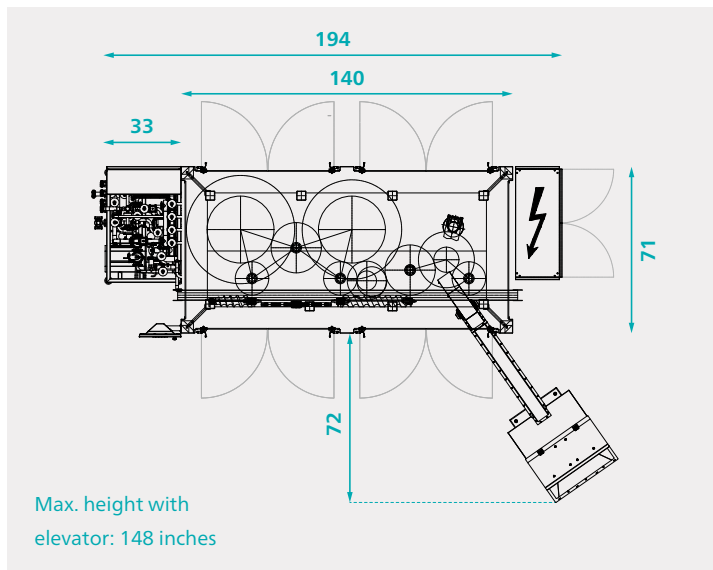
#### Glass bottles

- Diameter 50 - 90 mm
- Crown corks

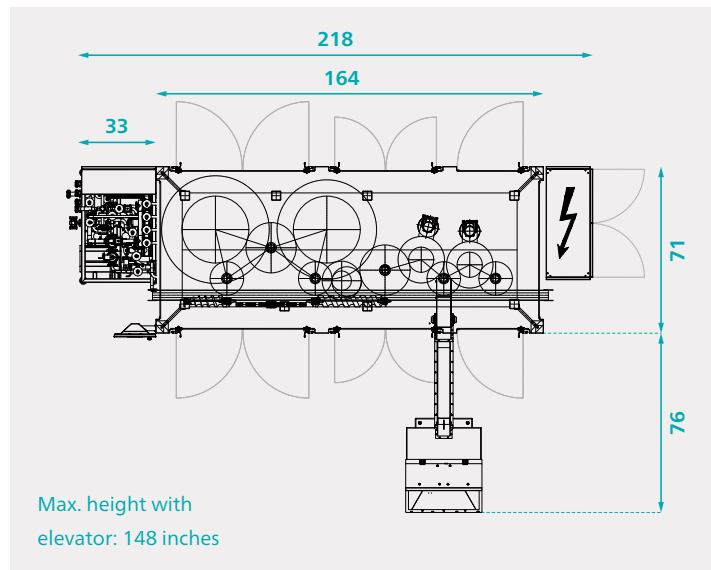
#### Options

- ROPP / Aluminium screw cap
- Plastic screw cap
- Other applications possible

## Configuration for crown corks (and optionally ROPP and/or Plastic screw caps)



## Configuration for crown corks (and optionally ROPP and/or Plastic screw caps) & possible other applications



### Capacities

| Product          | Filling temp. (°F) | CO <sub>2</sub> content (g/L) | Filler nominal capacity (bpm) | Container volume (oz) |
|------------------|--------------------|-------------------------------|-------------------------------|-----------------------|
| Beer             | 39                 | 5,5                           | 80                            | 12                    |
| (Pils, Lager)    |                    |                               | 65                            | 16                    |
| Beer             | 59                 | 5,5                           | 60                            | 12                    |
| (Pils, Lager)    |                    |                               | 50                            | 16                    |
| Soft drinks      | 39                 | 5,5                           | 75                            | 12                    |
| / RTD            |                    |                               | 60                            | 16                    |
| Soft drinks      | 59                 | 5,5                           | 60                            | 12                    |
| / RTD            |                    |                               | 50                            | 16                    |
| Carbonated water | 59-68              | 6,5                           | 80                            | 12                    |
|                  |                    |                               | 70                            | 16                    |
| Still water      | 68-77              | 0                             | 100                           | 12                    |
|                  |                    |                               | 100                           | 16                    |
| Still wine       | 68                 | 2                             | 80                            | 8.4                   |
|                  |                    |                               | 50                            | 25.3                  |
| Sparkling wine   | 39-42              | 8                             | 60                            | 8.4                   |
|                  |                    |                               | 30                            | 25.3                  |
| Juice            | 194                | 0                             | 80                            | 8.4                   |
|                  |                    |                               | 35                            | 33.8                  |

### Options and upgrades

- External flushing system with piping and nozzles for external cleaning
- Foaming system
- Cap elevator
- Additional capping applications on the turret together with crown corks
- Second capping turret complete with:
  - capping heads for ROPP caps
  - free places for future upgrade with plastic caps (can also be added after the machine is already installed)
- System for Hot-fill
- Simple cover with HEPA Filter
- Possibility to remove rinser (for returnable glass bottles)

### Basic scope

| Item                         | Size 16  |
|------------------------------|--|
| Orientation possible         | L → R and R → L  |
| Technical designation        | VKR-E 16-16-3K   |
| Nr. of rinsing stations      | 16 universal grippers  |
| Rinser Execution             | 2-channel rinsing (rinsing with disinfection + sterile water); pump not included                         |
| Nr. of filling valves        | 16   |
| Filling system               | Short vent tubes   |
| Closing turret               | • Crown cork - 1 cap type/size   |
| Nr. of capping heads         | 3  |
| Software                     | B&R PLC & Control  |
| Electrical specs             | • UL components<br>• UL certification  |
| Accessories for filling beer | • Vacuum pump<br>• Hot water injection   |
| Format parts                 | • 1 glass bottle with 1 type of crown cork   |
| Other                        | • Bottle shower at exit<br>• Water recirculation system from rinser to the bottle shower and vacuum pump |