



Filler SMALL-IN-CAN

24 filling valves



Proven technology designed for the small craft business, built on the ALL-IN-ONE platform.

Main features

- Different cans & lids can be handled on the same machine
- Tool free changeover in 10 minutes by 2 operators (same lid)
- No compromises in quality

Simplified installation & maintenance

- Drive and gear transmission
- Compact design
- Shipped as one block on a single truck / HiCube container
- Ready for use 2 weeks after start of installation

Applications

- Beer
- RTD's
- Soft drinks (still & sparkling)
- Wine (still & sparkling)
- Water (still & sparkling)
- Juices (including fruit pulp, up to 1x6mm)

Filling temperature range

- 0° - 20°C

CO₂ content

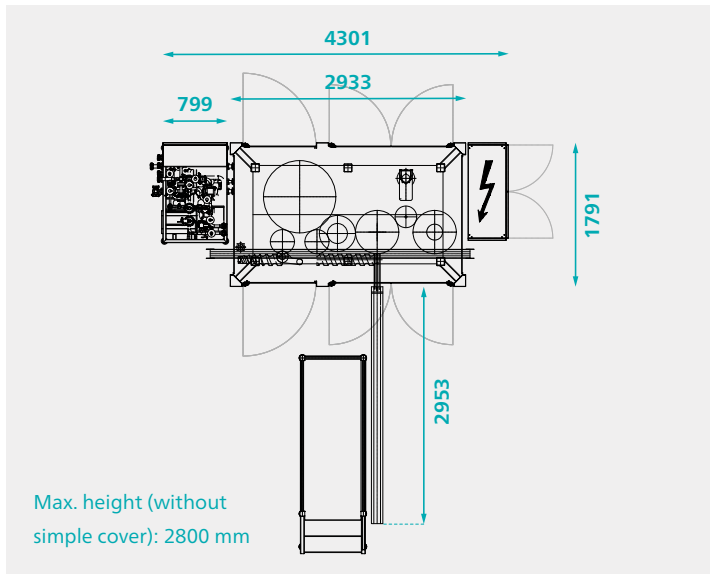
- 0 - 8 gr/l

Formats

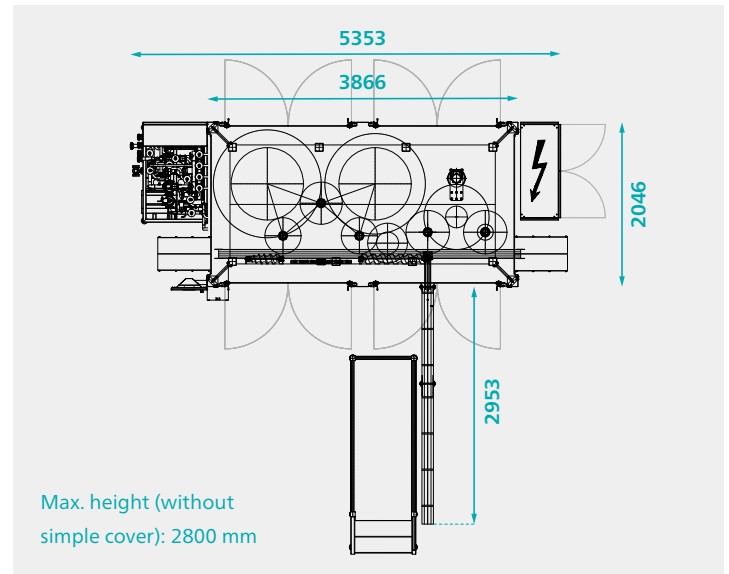
Cans

- Standard
- Sleek
- Slim

Configuration without rotary rinser



Configuration with rotary rinser



Capacities

Product	Filling temp. (°C)	CO ₂ content (g/L)	Filler nominal capacity (cph)	Container volume (ml)
Beer (Pils, Lager)	4	5,5	12.000	330
Beer (Pils, Lager)	15	5,5	11.000	500
Soft drinks / RTD	4	5,5	12.000	330
Soft drinks / RTD	15	5,5	10.500	500
Carbonated water	15-20	6,5	12.000	330
Carbonated water	20-25	0	11.000	500
Still water	20	2	12.000	330
Still water			11.000	500
Still wine	4-6	8	10.500	330
Still wine			9.000	500
Juice	90	0	12.000	330
Juice			12.000	500

Options

- 2 channel rotary rinser with universal grippers (rinsing with disinfection + sterile water) and water recirculation
- External flushing system with piping and nozzles for external cleaning
- Foaming system
- Platform for manual lid feeding
- System for Hot-fill
- Simple cover with HEPA Filter

Basic scope

Item	Size 24
Orientation possible	L → R and R → L
Technical designation	VKR-EID-DN 24-4D
Nr. of filling valves	24
Filling system	Volumetric
Closing turret	• Seamer - 1 lid size/type
Nr. of seaming stations	4
Lid supply	Chute for manual loading (chute on 2,1 m height)
Software	B&R PLC & Control
Electrical specs	EU / CE
Accessories for filling beer	• Vacuum pump • Undercover gassing & bubble breaker
Format parts	• 1 can type with 1 type of lid
Other	• Can shower at exit